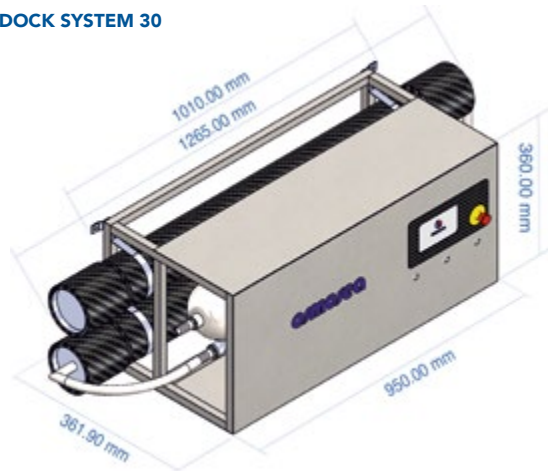
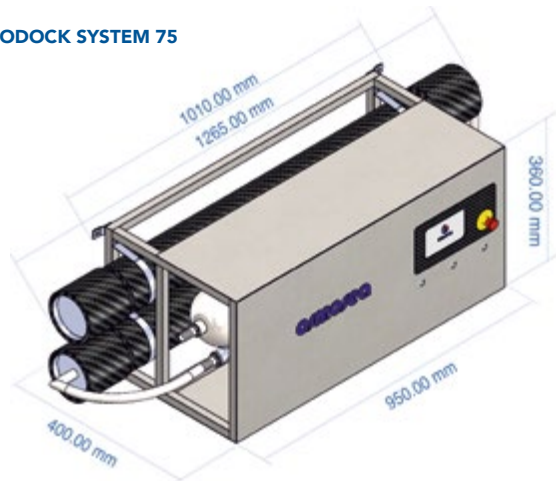


SYSTEMS DIMENSIONS

OSMODOCK SYSTEM 30



OSMODOCK SYSTEM 75



TECHNICAL FEATURES

OSMO DOCK SYSTEM	Production			Voltage	Power consumption	Weight (kg)
	Lt/h	Lt/day	Gal/day			
OsmoDock System 30	300	7200	1902,2	230/400 VAC	550 W	50
OsmoDock System 75	700	16800	4438,6	230/400 VAC	750 W	70